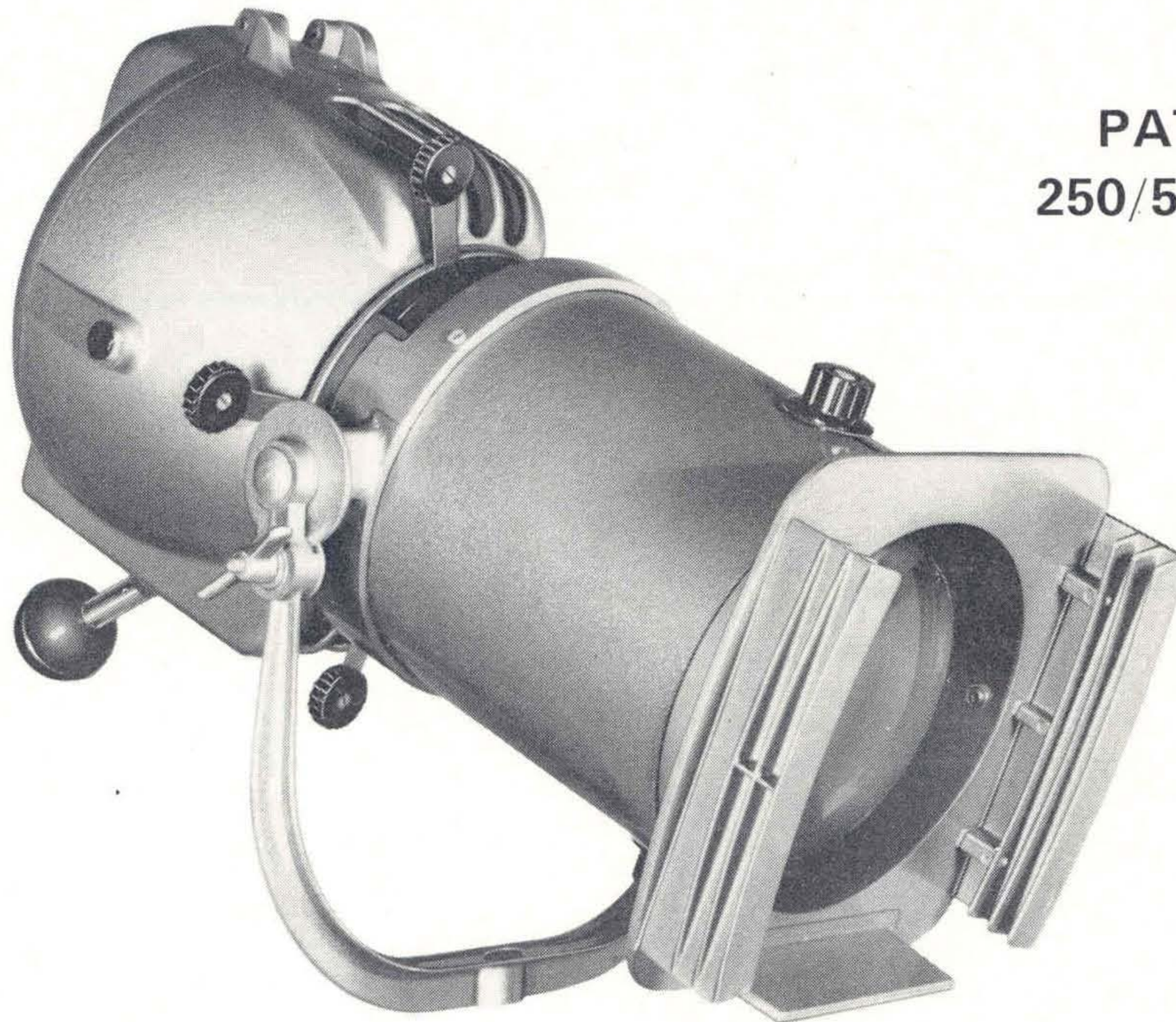
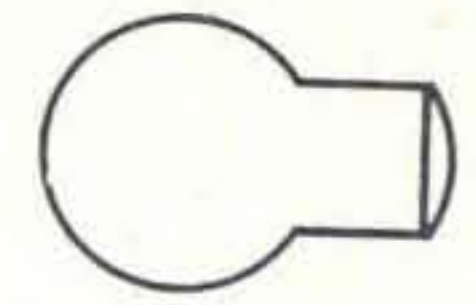




PROFILE SPOTS



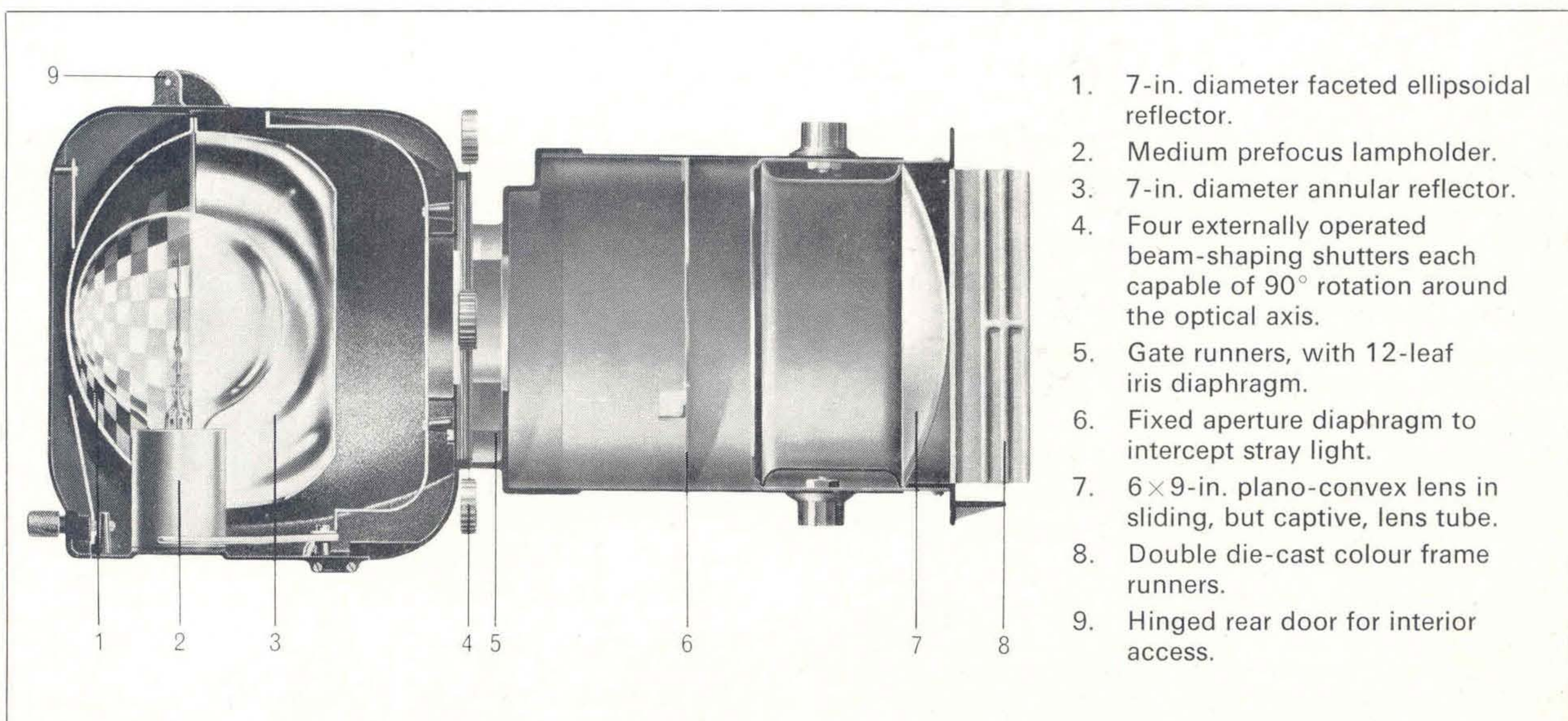
PATT. 23N II
250/500 WATT

This redesigned narrow angle Profile spot uses the same inexpensive 500 or 250 watt projector lamps as the standard Patt. 23 II but provides more than double the intensity.

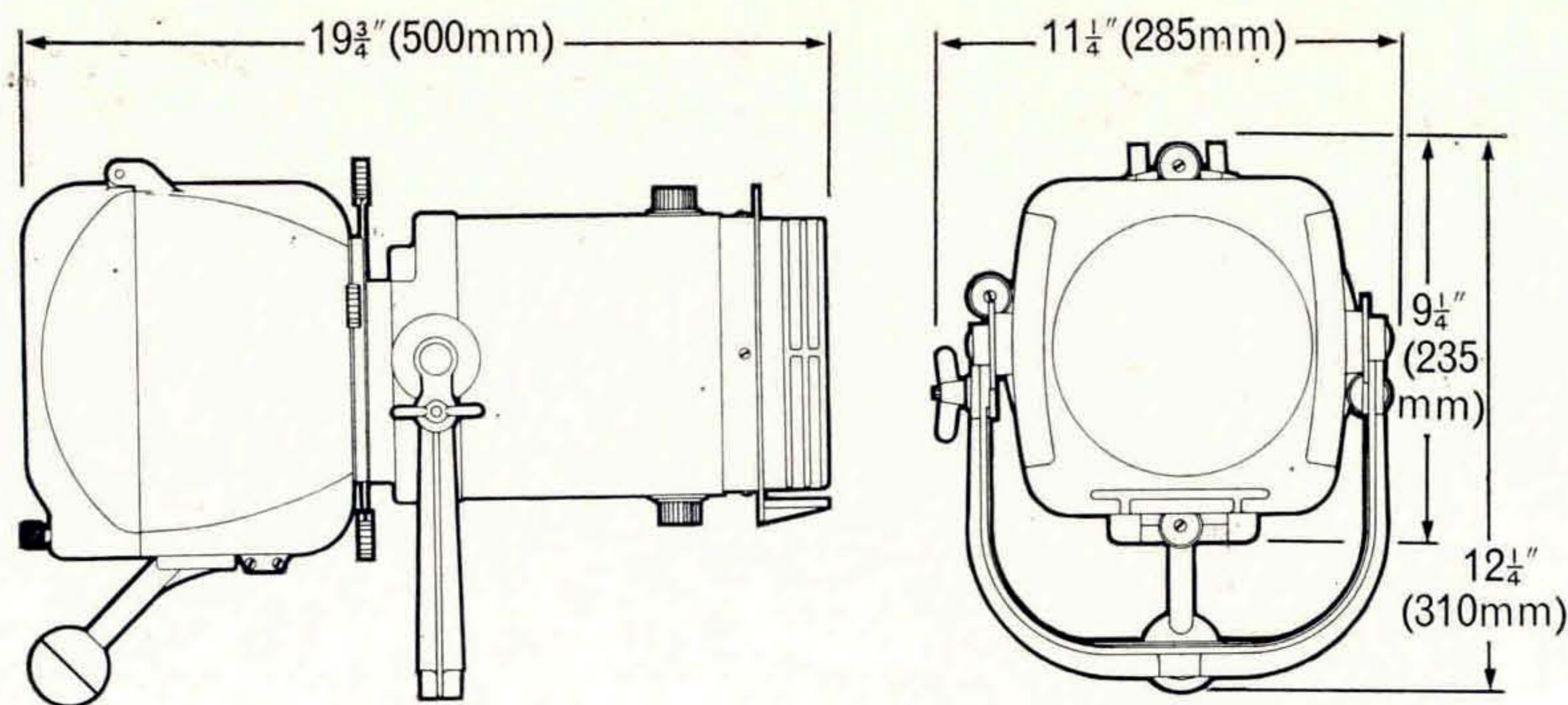
The light is collected at the gate by a faceted ellipsoidal rear reflector supplemented by a front annular reflector. The beam is shaped at the gate either by the four built-in shutters or by the iris diaphragm. This gate aperture is focussed by a

6-inch (150 mm.) diameter long focus lens into an evenly distributed, 11° maximum spread beam with clear cut edges.

This spotlight is equipped as a compact and inexpensive follow spot for ballrooms, cabaret clubs, etc., but is equally useful for more general stage lighting from the auditorium if the throw distance exceeds 30 feet (10 metres).



1. 7-in. diameter faceted ellipsoidal reflector.
2. Medium pefocus lampholder.
3. 7-in. diameter annular reflector.
4. Four externally operated beam-shaping shutters each capable of 90° rotation around the optical axis.
5. Gate runners, with 12-leaf iris diaphragm.
6. Fixed aperture diaphragm to intercept stray light.
7. 6×9-in. plano-convex lens in sliding, but captive, lens tube.
8. Double die-cast colour frame runners.
9. Hinged rear door for interior access.



SCALE 1:10

WEIGHT
Patt 23NII 12 1/4 lbs (5.6 Kilos)

LAMPS & PERFORMANCE DATA

THROW DISTANCE

BEAM SPREAD

ILLUMINATION

	THROW DISTANCE		BEAM SPREAD		ILLUMINATION							
	feet	metres	feet	metres	500W 120V 500T20/48 or Philips 359C		500W 240V Class T/1 or Philips 559C		250W 120V 250T20/47 or Philips 558C		250W 120V Class T/3 or Philips 558C	
					f.c.	lux	f.c.	lux	f.c.	lux	f.c.	lux
Pattern 23N II Beam Angle 11° max. in which intensity varies no more than 2:1	25		5		110	1185	85	915	46	495	36	390
		9		1.5		850		655		360		275
	30		6		76	820	59	635	32	345	25	270
		10		2		685		530		290		225
	35		7		56	605	43	465	24	260	18	195
		12		2.25		425		370		200		155
	40		8		43	465	33	355	18	195	14	150
		13		2.5		405		315		170		135
	45		9		34	365	26	280	14	150	11	120

SPECIFICATION

Lamphouse—aluminium alloy pressure die-castings with baffled ventilation slots. Heat-resisting rear handle provided.

Lampholder—medium prefocus (P.28) with porcelain body for 55.5 mm. light centre length 250 or 500 watt projection lamp.

Cable—30-in. (0.75 m.) external length of 3-conductor heat resisting, sheathed cable secured by strain-relief gland.

Reflectors—7-in. (180 mm.) diameter faceted ellipsoidal rear reflector and spherical annular front reflector both of polished anodised aluminium.

Gate Assembly—four stainless steel beam shaping shutters, with external heat-resisting knobs, each capable of 90° rotation around the optical axis. Gate runners fitted with removable 12-leaf iris diaphragm.

Lens—6 x 9-in. (150 x 230 mm.) plano convex lens mounted in double skin tube sliding in two slots of fixed tube and locked by two heat-resisting knobs.

Colour Frame—die-cast lens front and double runners; one 6 1/2-in. square (165 x 165 mm.) metal colour frame supplied.

Fork—malleable die-cast fork with friction disc tilt clamp at point of balance; 3/8-in. bolt for spigot adaptor or suspension when fork reversed by temporary removal of lens tube.

Finish—exterior and fork epoxy resin hard hammer grey; interior flat black.

ACCESSORIES

Ref. 484. Spigot adaptor for telescopic stand.

Ref. 592. 1 1/8-in. diameter hollow TV spigot.